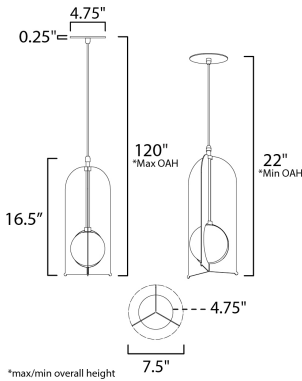




**PRODUCT DESCRIPTION**

A trio of flat metal panels finished in Brushed Bronze encase a Satin White opal glass shade. Within the glass a conveniently replaceable G9 LED lamp is provided.



**MEASUREMENTS**

DIMENSION : 7.5" L x 7.5" W x 16.5" H  
 MAX OAH :  
 CANOPY : 4.75" W x 0.75" H x 4.75" L  
 HANGING WEIGHT : 4 lb

**LAMPING**

INPUT VOLTAGE : 120V  
 LUMENS : 450 Rated (380 Del.)  
 BULB : 4W LED G9 , 4W Total  
 BULB INCLUDED : (Included)  
 DIMMABLE : ELV or Triac CL  
 CRI : 90 CRI  
 COLOR\_TEMP : 3000K

**FINISHES OPTION**

 Black (BK)

**GLASS**

Satin White 92

**MATERIAL**

Steel + Aluminum + Glass

**RATINGS**

cETLus  
 Dry Location



**ADDITIONAL**

RATED LIFE 25000 Hours  
 OPERATING TEMPERATURE:  
 -20°C (-4°F), 40°C (104°F)

Always consult a qualified electrician before installing any lighting product.



**Modifications or Customizations:** Please email [contract@studiomlighting.com](mailto:contract@studiomlighting.com)  
**Sample Request:** Please email [order@studiomlighting.com](mailto:order@studiomlighting.com) with subject line "Sample Order\_ [Project Name] / [Specifier/Designer]"  
 All samples are subject to Studio M approval and must show proof of project and/or explanation.

Job Name:	Job Type:
Quantity:	Comments: