



**PRODUCT DESCRIPTION**

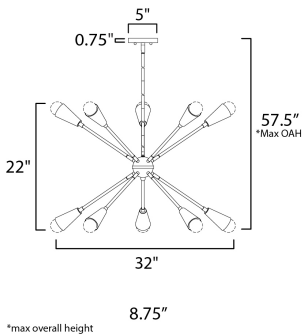
A classic mid-century look, the Lovell collection features two sizes of sputnik chandeliers and streamlined sconces perfect for bath vanity applications. Available in a Black/Satin Brass finish combination. Light bulbs nest inside the metal cones to become an element of the design.

**MEASUREMENTS**


DIMENSION : 32" W x 22" H  
 MAX OAH : 61.25" OAH  
 CANOPY : 5" W x 0.75" H  
 HANGING WEIGHT : 10.19 lb

**LAMPING**

INPUT VOLTAGE : 120V  
 LUMENS : 9,000 Rated (6,300 Del.)  
 BULB : 9W LED E26 Medium , 90W Total  
 BULB INCLUDED : (Included)  
 DIMMABLE : Y  
 CRI : 90 CRI  
 COLOR\_TEMP : 3000K



**FINISHES OPTION**

 Black / Satin Brass (BKSBR)

**MATERIAL**

Steel

**RATINGS**

ULDry Location



**ADDITIONAL**

SLOPE: 60  
 OPERATING TEMPERATURE:  
 -20°C (-4°F), 40°C (104°F)

Always consult a qualified electrician before installing any lighting product.



**Modifications or Customizations:** Please email [contract@studiomlighting.com](mailto:contract@studiomlighting.com)  
**Sample Request:** Please email [order@studiomlighting.com](mailto:order@studiomlighting.com) with subject line "Sample Order\_ [Project Name] / [Specifier/Designer]"  
 All samples are subject to Studio M approval and must show proof of project and/or explanation.

Job Name:	Job Type:
Quantity:	Comments: