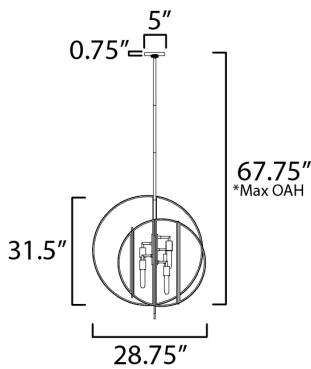




**MAT SANDERS**  
STUDIO•M

**PRODUCT DESCRIPTION**

Crossing planes of ribbed glass panels are asymmetrically arranged along a rod, framed in thin Matte Black iron. The tubular bulbs suspended from various heights are obscured by the glass texture, creating a shimmering show of ambient illumination. The simple circular and arcing shapes are stitched together in an interesting industrial glass texture structure that echoes the internal light patterns. The design, like bound glass and orb lighting pendants, manages to convey retro vibes in a modern, daring, and transitional form. Also available in complementary sconce with geometric appeal.



**MEASUREMENTS**

DIMENSION : 25" L x 28.75" W x 31.5" H  
 MAX OAH : 67.75" OAH  
 CANOPY : 5" W x 1" H x 5" L  
 HANGING WEIGHT : 40 lb

**LAMPING**

INPUT VOLTAGE : 120V  
 LUMENS : 1,300 Rated (1,000 Del.)  
 BULB : 4W LED E26 Medium , 20W Total  
 BULB INCLUDED : (Included)  
 DIMMABLE : Y  
 CRI : 90 CRI  
 COLOR\_TEMP : 2700K

**FINISHES OPTION**

 Black (BK)

**GLASS**

Clear Ribbed CR

**MATERIAL**

Ribbed Glass, Steel

**RATINGS**

cETLus  
 Dry Location



**ADDITIONAL**

SLOPE:  
 RATED LIFE 25000 Hours  
 OPERATING TEMPERATURE:  
 -20°C (-4°F), 40°C (104°F)

Always consult a qualified electrician before installing any lighting product.

**STUDIO•M**

**Modifications or Customizations:** Please email [contract@studiomlighting.com](mailto:contract@studiomlighting.com)  
**Sample Request:** Please email [order@studiomlighting.com](mailto:order@studiomlighting.com) with subject line "Sample Order\_ [Project Name] / [Specifier/Designer]"  
 All samples are subject to Studio M approval and must show proof of project and/or explanation.

Job Name:	Job Type:
Quantity:	Comments: