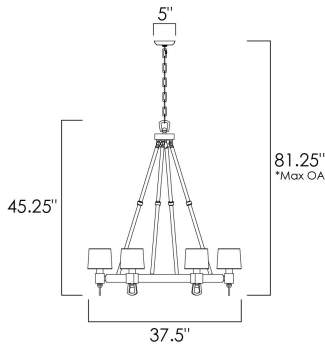




PRODUCT DESCRIPTION

A modern interpretation of 18th Century design, Jefferson updates a classic design combining various simple geometries. Cubes attached to a ring with suspended stirrups from a sphere all finished in Polished Silver with coordinating black shades with our signature Metallic Silver Patterned liner.



*max overall height

MEASUREMENTS

- DIMENSION : 37.5" L x 37.5" W x 46.25" H
- MAX OAH : 119.25" OAH
- CANOPY : 5.1" W x 1" H x 5.1" L
- HANGING WEIGHT : 35.2 lb

LAMPING

- INPUT VOLTAGE : 120V
- BULB : 60W Incandescent E26 Medium , 360W Total
- BULB INCLUDED : (Not Included)
- DIMMABLE :

FINISHES OPTION

-  Plated Silver (PS)

MATERIAL

Steel

RATINGS

cETLus
Dry Location



ADDITIONAL

ADJUSTABLE
OPERATING TEMPERATURE:
-20°C (-4°F), 40°C (104°F)

Always consult a qualified electrician before installing any lighting product.

STUDIO•M

Modifications or Customizations: Please email contract@studiomlighting.com
Sample Request: Please email order@studiomlighting.com with subject line
 "Sample Order_ [Project Name] / [Specifier/Designer]"
 All samples are subject to Studio M approval and must show proof of project and/or explanation.

| | |
|-----------|-----------|
| Job Name: | Job Type: |
| Quantity: | Comments: |