



PRODUCT DESCRIPTION

Stunning LED arrangements recreate the splendor of Art Nouveau. The biophilic forms that sparkle in this distinctive structure are made of feather-like handcrafted steel and crystal. These crystal sculptures are evenly lit by a discrete strip of LED light that follows the sculpture's undulating shape, which also adds additional ambient light below. Available in various pendant configurations and a coordinating sconce and finished in your choice of Polished Nickel or French Gold.

FINISHES OPTION

-  Gold (GLD)
-  Polished Nickel (PN)

GLASS

Beveled Crystal BC

MATERIAL

Steel, Glass

RATINGS

cETLus
Dry Location



ADDITIONAL

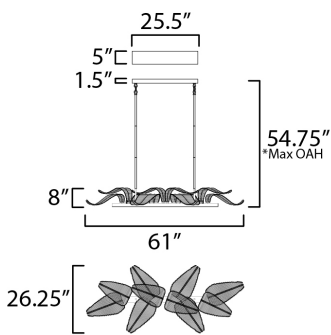
SLOPE:
RATED LIFE 25000 Hours
OPERATING TEMPERATURE:
-20°C (-4°F), 40°C (104°F)

MEASUREMENTS

DIMENSION : 61" L x 26.25" W x 8" H
 MAX OAH : 54.75" OAH
 CANOPY : 5" W x 1.5" H x 25.5" L
 HANGING WEIGHT : 30 lb

LAMPING

INPUT VOLTAGE : 120-277V
 LUMENS : 4,000 Rated (3,500 Del.)
 BULB : 5W LED DC Integrated , 50W Total
 BULB INCLUDED : (Integrated)
 DIMMABLE : Triac, ELV, 0-10V
 CRI : 90 CRI
 COLOR_TEMP : 3000K



Always consult a qualified electrician before installing any lighting product.



Modifications or Customizations: Please email contract@studiomlighting.com
Sample Request: Please email order@studiomlighting.com with subject line "Sample Order_ [Project Name] / [Specifier/Designer]"
 All samples are subject to Studio M approval and must show proof of project and/or explanation.

Job Name:	Job Type:
Quantity:	Comments: