

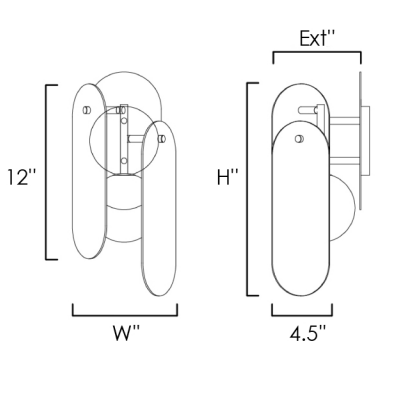
SM24810



NINA | MAGON.
STUDIO • M

PRODUCT DESCRIPTION

A monument to the beauty of stone, the Megalith collection is constructed using a robust iron stem that branches off to support various panel options. These various elliptical panels are back lit with globes of white cased glass. Choose from stone panels sets including Spanish Alabaster, a pleasantly pink Rose Jade, White Onyx or a breathtaking Striae Arya with dramatic veining and dark grey color tone. The enduring appeal of the stone's character boosts the luxurious nature of this design. The framework is available in Gunmetal or Brushed Bronze and made to order configurations for quick modifications. For a more modern, futuristic approach to the design, the Megalith collection is also offered in a retro dichroic glass option.



MEASUREMENTS

DIMENSION : 7" W x 15.5" H x 6.75" Ext
 MAX OAH : 9.5" H
 HANGING WEIGHT : 4.98 lb

LAMPING

INPUT VOLTAGE : 120V
 LUMENS : 450 Rated (350 Del)
 BULB : 4W LED G9 , 4W Total
 BULB INCLUDED : Included
 DIMMABLE : Y
 CRI : 90 CRI
 COLOR TEMP : 3000K
 LIGHTING DIRECTION : DOWN

FINISHES OPTION



Brushed Bronze (BB) Gunmetal (GM) Heritage Brass (HR)

STONES OPTION



Striae Arya (ARY) Spanish Alabaster (WA) Dichroic Glass (DC) Rose Jade (RJ) White Onyx (OX)

MATERIAL

Steel, Glass, Stone

RATINGS

cETLus
 Dry Location
 JA8 Bulb In



ADDITIONAL

SLOPE : 70
 RATED LIFE 25000 Hours
 OPERATING TEMPERATURE:
 -20°C (-4°F), 40°C (104°F)

Always consulta qualified electrician before installing any lighting product.

STUDIO • M

Modifications of Customization : Please email contract@studiomlighting.com
 Sample Request : Please email Order@studiomlighting.com with line "Sample Order _ [Project Name] / [Specifier/Designer]"
 All samples are subject to Studio M approval and must show proof of project and/or explanation

Job Name:	Job Type:
Quantity:	Comments: