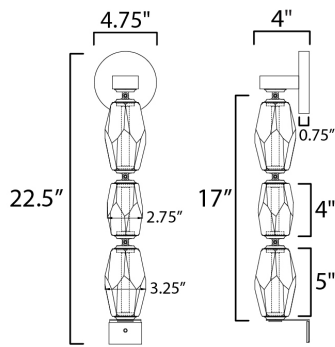




NINA MAGON
STUDIO•M

PRODUCT DESCRIPTION

Immerse yourself in luxury delivered by Nina Magon Studio. Faceted crystal charms are linked together as if jewels. Indulge in the Dolce Vita, where a concept so decadent can be a feature in your space. The modular configurations allow you to install the fixture per your space with both remote and surface mounted canopy structures. Available in Polished Chrome or Natural Aged Brass.



MEASUREMENTS

DIMENSION : 22" L x 3.25" W x 23" H x 4" Ext
 MAX OAH : 4.75" W x 4.75" H
 HANGING WEIGHT : 11 lb

LAMPING

INPUT VOLTAGE : 120-277V
 LUMENS : 680 Rated (540 Del.)
 BULB : 3W LED DC Integrated , 9W Total
 BULB INCLUDED : (Integrated)
 DIMMABLE : Triac, ELV, 0-10V
 CRI : 90 CRI
 COLOR_TEMP : 3000K
 LIGHTING_DIRECTION : Omni

FINISHES OPTION

- Gold (GLD)
- Polished Chrome (PC)

GLASS

Beveled Crystal BC

MATERIAL

Steel, Crystal

RATINGS

cETLus
 Damp Location
 ADA



ADDITIONAL

INSTALL UP/DOWN: Down
 SLOPE:
 RATED LIFE 30000 Hours
 OPERATING TEMPERATURE:
 -20°C (-4°F), 40°C (104°F)

Always consult a qualified electrician before installing any lighting product.

STUDIO•M

Modifications or Customizations: Please email contract@studiomlighting.com
 Sample Request: Please email order@studiomlighting.com with subject line
 "Sample Order_ [Project Name] / [Specifier/Designer]"
 All samples are subject to Studio M approval and must show proof of project and/or explanation.

Job Name:	Job Type:
Quantity:	Comments: