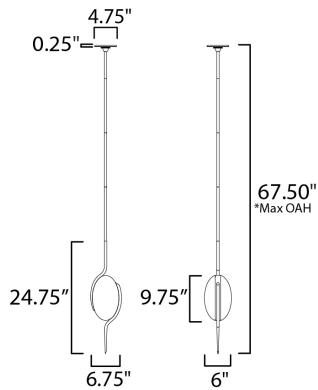




NINA | MAGON
STUDIO • M

PRODUCT DESCRIPTION

The alluring visual effect of a milky cloud marble glass provides elegant luminosity. Backlit with evenly diffused LED lighting the fixtures resonate like a vibrant musical note. The fixture is elongated with a vertical metal spike finished in Natural Aged Brass that hugs the glass' shape as it extends in both directions. These elements end in an angle-cut edge which adds visual contrast not only in color but in feeling. The sharpness of a clasp to the softer orb of the marbling white glass. An embodiment of lighting as a jewel, the Locket evokes both the opulence and sentimentality of designer accessories.



MEASUREMENTS

DIMENSION : 6.75" L x 6" W x 24.75" H
 MAX OAH : 67.5" OAH
 CANOPY : 4.75" W x 0.25" H x 4.75" L
 HANGING WEIGHT : 7.9 lb

LAMPING

INPUT VOLTAGE : 120V
 LUMENS : 1,600 Rated (1,280 Del.)
 BULB : 8W LED AC Integrated , 16W Total
 BULB INCLUDED : (Integrated)
 DIMMABLE : Triac
 CRI : 90 CRI
 COLOR_TEMP : 3000K

FINISHES OPTION

 Natural Aged Brass (NAB)

GLASS

Marble MR

MATERIAL

Glass, Steel, Aluminum

RATINGS

cETLus
 Dry Location



ADDITIONAL

SLOPE: 30
 RATED LIFE 35000 Hours
 OPERATING TEMPERATURE:
 -20°C (-4°F), 40°C (104°F)

Always consult a qualified electrician before installing any lighting product.

STUDIO • M

Modifications or Customizations: Please email contract@studiomlighting.com
 Sample Request: Please email order@studiomlighting.com with subject line
 "Sample Order_ [Project Name] / [Specifier/Designer]"
 All samples are subject to Studio M approval and must show proof of project and/or explanation.

Job Name:	Job Type:
Quantity:	Comments: