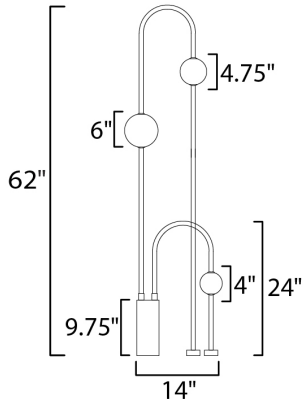




NINA MAGON
STUDIO•M

PRODUCT DESCRIPTION

Drawing inspiration from her acclaimed "Dreamcloud" experiential design at Art Basel Miami, Nina Magon reinterprets her otherworldly installation for use in the home or hospitality project. The exaggerated curve, definitive of Magon's lighting design, suspends iridescent bubble-like glass forms that appear to float across channels of LED illumination. Available in Heritage Brass and Gunmetal finishes, this Dreamer pairs perfectly with coordinating finishes in the Nina Magon lighting collection.





MEASUREMENTS

DIMENSION : 15" L x 6" W x 62.25" H
 MAX OAH : 4.75" W x 4.75" H
 HANGING WEIGHT : 11.92 lb

LAMPING

INPUT VOLTAGE : 120V
 LUMENS : 1,200 Rated (480 Del.)
 BULB : 4W LED DC Integrated , 12W Total
 BULB INCLUDED : (Included)
 DIMMABLE : Y
 CRI : 90 CRI
 COLOR_TEMP : 3000K

FINISHES OPTION

-  Black Chrome (BC)
-  Natural Aged Brass (NAB)

GLASS

Iridescent IR

MATERIAL

Steel, Glass, acrylic

RATINGS

cETLus
 Dry Location



ADDITIONAL

RATED LIFE 20000 Hours
 OPERATING TEMPERATURE:
 -20°C (-4°F), 40°C (104°F)

Always consult a qualified electrician before installing any lighting product.

STUDIO•M

Modifications or Customizations: Please email contract@studiomlighting.com
 Sample Request: Please email order@studiomlighting.com with subject line
 "Sample Order_ [Project Name] / [Specifier/Designer]"
 All samples are subject to Studio M approval and must show proof of project and/or explanation.

Job Name:	Job Type:
Quantity:	Comments: