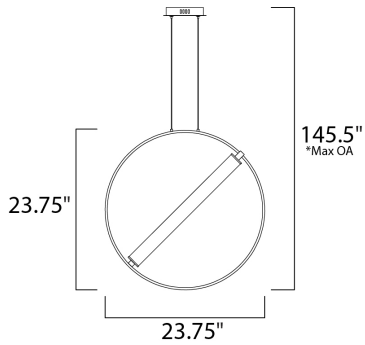




PRODUCT DESCRIPTION

A ring suspends a tube of LED light evenly diffused through opal white acrylic. A striking combination of soft gold and black bring boldness to the collection. By adjusting the rings on the chandeliers, the light element can be positioned horizontally or at an angle. The 3 light multi-pendant suspends three different size rings that can be adjusted to the height you desire.



MEASUREMENTS

DIMENSION : 23.75" L x 6.25" W x 23.75" H
 MAX OAH : 145.5" OAH
 CANOPY : 6.3" W x 1.2" H x 6.3" L
 HANGING WEIGHT : 3.1 lb

LAMPING

INPUT VOLTAGE : 120V
 LUMENS : 1,411 Rated (1,090 Del.)
 BULB : 20W LED PCB Integrated , 20W Total
 BULB INCLUDED : (Integrated)
 DIMMABLE : Triac CL
 CRI : 80+ CRI
 COLOR_TEMP : 3000K

*max overall height

FINISHES OPTION

Black / Soft Gold (BKSFTG)

GLASS

Clear and Frosted 93

MATERIAL

Steel, Aluminum, Acrylic

RATINGS

cETLus
 Dry Location



ADDITIONAL

ADJUSTABLE
 SLOPE: 30
 RATED LIFE 30000 Hours
 OPERATING TEMPERATURE:
 -20°C (-4°F), 40°C (104°F)

Always consult a qualified electrician before installing any lighting product.

STUDIO•M

Modifications or Customizations: Please email contract@studiomlighting.com
Sample Request: Please email order@studiomlighting.com with subject line "Sample Order_ [Project Name] / [Specifier/Designer]"
 All samples are subject to Studio M approval and must show proof of project and/or explanation.

Job Name:	Job Type:
Quantity:	Comments: