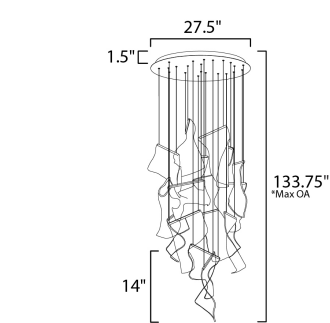




**PRODUCT DESCRIPTION**

An airy arrangement of abstract forms, the Rinkle pendants feature sheets of transparent acrylic shaped by hand. The light guided acrylic captures the glow of energy efficient LEDs recessed within strips of shining stainless steel, obscuring the source of illumination. Delicately suspended by a series of thin wires, the pendants appear to be floating in an adjustable configuration of weightless light sculpture. Available in Polished Chrome, French Gold, and Brushed Gunmetal, its unique design adds a showstopping element to interior spaces.






**MEASUREMENTS**

DIMENSION : 27.5" L x 27.5" W x 15.75" H  
 MAX OAH : 135.5" OAH  
 CANOPY : 27.5" W x 1.5" H x 27.5" L  
 HANGING WEIGHT : 39.6 lb

**LAMPING**

INPUT VOLTAGE : 120V  
 LUMENS : 3,500 Rated (1,600 Del.)  
 BULB : 35W LED PCB Integrated , 35W Total  
 BULB INCLUDED : (Integrated)  
 DIMMABLE : Triac CL  
 CRI : 90+ CRI  
 COLOR\_TEMP : 3000K

**FINISHES OPTION**

-  Brushed Gunmetal (BGM)
-  French Gold (FG)
-  Polished Chrome (PC)

**GLASS**

Patterned Acrylic 133

**MATERIAL**

Acrylic, Stainless Steel

**RATINGS**

cETLus  
 Dry Location



**ADDITIONAL**

ADJUSTABLE  
 RATED LIFE 25000 Hours  
 OPERATING TEMPERATURE:  
 -20°C (-4°F), 40°C (104°F)

Always consult a qualified electrician before installing any lighting product.



**Modifications or Customizations:** Please email [contract@studiomlighting.com](mailto:contract@studiomlighting.com)  
**Sample Request:** Please email [order@studiomlight.com](mailto:order@studiomlight.com) with subject line "Sample Order\_ [Project Name] / [Specifier/Designer]"  
 All samples are subject to Studio M approval and must show proof of project and/or explanation.

Job Name:	Job Type:
Quantity:	Comments: