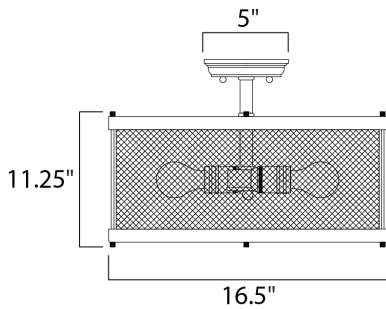




**PRODUCT DESCRIPTION**



**MEASUREMENTS**

DIMENSION : 16.5" L x 16.5" W x 11.25" H  
 CANOPY : 5" W x 1.25" H x 5" L  
 HANGING WEIGHT : 5.28 lb

**LAMPING**

INPUT VOLTAGE : 120V  
 BULB : 60W Incandescent E26 Medium , 180W Total  
 BULB INCLUDED : (Not Included)  
 DIMMABLE : Yes

**FINISHES OPTION**

 Black / Natural Aged Brass (BKAB)

**MATERIAL**

Steel

**RATINGS**

cETLus  
 Dry Location



**ADDITIONAL**

OPERATING TEMPERATURE:  
 -20°C (-4°F), 40°C (104°F)

Always consult a qualified electrician before installing any lighting product.

**STUDIO•M**

Modifications or Customizations: Please email [contract@studiomlighting.com](mailto:contract@studiomlighting.com)  
 Sample Request: Please email [order@studiomlighting.com](mailto:order@studiomlighting.com) with subject line  
 "Sample Order\_ [Project Name] / [Specifier/Designer]"  
 All samples are subject to Studio M approval and must show proof of project and/or explanation.

Job Name:	Job Type:
Quantity:	Comments: