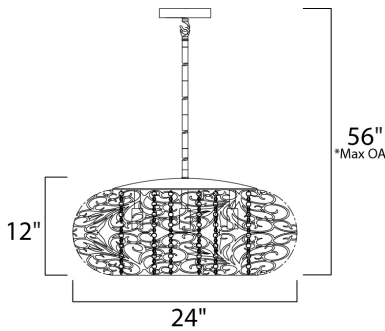




**PRODUCT DESCRIPTION**

The Arabesque collection's intricate patterns are formed in metal and finished in Golden Silver. Strands of crystal beads add sparkle as they shimmer through the Xenon lamps. Unique oval-shaped pendants add a touch of class to any room.



\*max overall height



**MEASUREMENTS**

DIMENSION : 24" L x 24" W x 12" H  
 MAX OAH : 56" OAH  
 CANOPY : 6" W x 0.75" H x 6" L  
 HANGING WEIGHT : 15.75 lb

**LAMPING**

INPUT VOLTAGE : 120V  
 LUMENS : 6,750 Rated  
 BULB : 3W LED G9 , 27W Total  
 BULB INCLUDED : (Included)  
 DIMMABLE : Yes  
 COLOR\_TEMP : 3000K

**FINISHES OPTION**

-  Golden Silver (GS)
-  Oil Rubbed Bronze (OI)

**GLASS**

Beveled Crystal BC

**MATERIAL**

Steel, Crystal

**RATINGS**

cETLus  
 Dry Location



**ADDITIONAL**

SLOPE: 120  
 RATED LIFE 2000 Hours  
 OPERATING TEMPERATURE:  
 -20°C (-4°F), 40°C (104°F)

Always consult a qualified electrician before installing any lighting product.



**Modifications or Customizations:** Please email [contract@studiomlighting.com](mailto:contract@studiomlighting.com)  
**Sample Request:** Please email [order@studiomlighting.com](mailto:order@studiomlighting.com) with subject line "Sample Order\_ [Project Name] / [Specifier/Designer]"  
 All samples are subject to Studio M approval and must show proof of project and/or explanation.

Job Name:	Job Type:
Quantity:	Comments: