






MAT SANDERS
STUDIO•M

PRODUCT DESCRIPTION

Emblematic of his casual, sophisticated style, Mat Sanders' Domain series include an all-inclusive assortment of applications and finishes. Featuring a truncated sphere open at its top and bottom, an internal globe of Opal White glass shades provide ample LED lighting. The outer glass shade is suspended by a strap of stitched leather to compliment the metal finish. Available in acid-etched Satin White glass with Natural Aged Brass, crystal clear glass with polished Black Nickel, or smoke-striped clear glass with matte Gunmetal. The sconces, in consideration of damp locations, have forgone the stitched leather detail. The standout two-light 36" pendant is scaled for island and dining use. Semi-flush mount and complementary sconces round out this collection presenting a complete assortment of ceiling and wall-mounted lighting products suitable for use in bathrooms and other interior spaces. Mat Sanders' diverse period influences have created a fascinating combination of design elements.

FINISHES OPTION

-  Black Chrome (BC)
-  Gunmetal (GM)
-  Natural Aged Brass (NAB)

GLASS

Smoke and Clear MSCL

MATERIAL

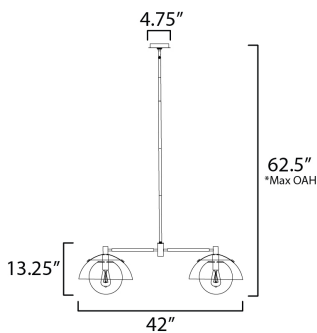
Glass, Leather, Steel

RATINGS

Dry Location

ADDITIONAL

OPERATING TEMPERATURE:
-20°C (-4°F), 40°C (104°F)



MEASUREMENTS

- DIMENSION : 42" L x 14" W x 13.25" H
- MAX OAH : 62.5" OAH
- CANOPY : 4.75" W x 1" H x 4.75" L
- HANGING WEIGHT : 12.88 lb

LAMPING

- INPUT VOLTAGE : 120V
- LUMENS : 1,860 Rated (1,600 Del.)
- BULB : 9W LED E26 Medium , 18W Total
- BULB INCLUDED : (Included)
- CRI : 90 CRI
- COLOR_TEMP : 3000K

Always consult a qualified electrician before installing any lighting product.

STUDIO•M

Modifications or Customizations: Please email contract@studiomlighting.com
Sample Request: Please email order@studiomlighting.com with subject line
 "Sample Order_ [Project Name] / [Specifier/Designer]"
 All samples are subject to Studio M approval and must show proof of project and/or explanation.

Job Name:	Job Type:
Quantity:	Comments: