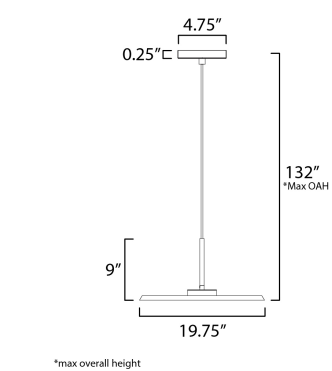




**PRODUCT DESCRIPTION**

Wide flat discs house LED engines that disappear when viewed at the pendants edge. Supported at their center by thin tubes and black cable, machined aluminum housings feature laterally cut concentric circles drawing inspiration from the grooves in a vinyl record. Finished in your choice of Matte Black, Antique Brass, or Antique Copper, the modern design feels vintage and retro widening the range of compatibility within architectural aesthetics.



**MEASUREMENTS**

DIMENSION : 19.75" W x 1.5" H x 19.75" Ext  
 MAX OAH : 132" OAH  
 CANOPY : 4.75" W x 0.25" H x 4.75" L  
 HANGING WEIGHT : 2 lb

**LAMPING**

INPUT VOLTAGE : 120V  
 LUMENS : 1,080 Rated (860 Del.)  
 BULB : 12W LED AC Integrated , 12W Total  
 BULB INCLUDED : (Integrated)  
 DIMMABLE : Triac or ELV  
 CRI : 90 CRI  
 COLOR\_TEMP : 3000K

**FINISHES OPTION**

- Antique Brass (AB)
- Antique Copper (ACP)
- Black (BK)

**MATERIAL**

Steel

**RATINGS**

cETLus  
 Dry Location



**ADDITIONAL**

RATED LIFE 35000 Hours  
 OPERATING TEMPERATURE:  
 -20°C (-4°F), 40°C (104°F)

Always consult a qualified electrician before installing any lighting product.



**Modifications or Customizations:** Please email [contract@studiomlighting.com](mailto:contract@studiomlighting.com)  
**Sample Request:** Please email [order@studiomlighting.com](mailto:order@studiomlighting.com) with subject line "Sample Order\_ [Project Name] / [Specifier/Designer]"  
 All samples are subject to Studio M approval and must show proof of project and/or explanation.

Job Name:	Job Type:
Quantity:	Comments: