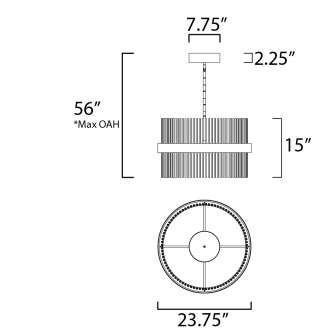




PRODUCT DESCRIPTION

Wide bands of Matte Black metal supports an evenly spaced row of thin tubing finished in your choice of Satin Brass, Satin Nickel or a combination of the two. The stylish design is connected by WiZ that enables the lighting's White Ambiance between 2700-5000 Kelvin. Marvel at the ring's soft indirect lighting dispersion cast light both up and down and shine along the tubes aglow. Set daylight white options for concentration tasks and energize your body. Similarly take notice of the effect when setting a warmer tone at the end of the day or to add some ambiance.



MEASUREMENTS

DIMENSION : 23.75" L x 23.75" W x 15" H
 MAX OAH : 56" OAH
 CANOPY : 7.75" W x 2.25" H x 7.75" L
 HANGING WEIGHT : 21.16 lb

LAMPING

INPUT VOLTAGE : 120-277V
 LUMENS : 4,900 Rated (1,600 Del.)
 BULB : 53W LED PCB Integrated , 53W Total
 BULB INCLUDED : (Integrated)
 DIMMABLE : Dimmable W/ WiZ compatible device or app
 CRI : 80 CRI
 COLOR_TEMP : 2700 - 5000K

*max overall height

FINISHES OPTION

-  Black / Satin Brass (BKSBR)
-  Black / Satin Nickel (BKSNI)
-  Black / Satin Nickel / Satin Brass (BKSNSBR)

MATERIAL

Steel

RATINGS

cETLus
 Dry Location



ADDITIONAL

SLOPE: 90
 RATED LIFE 25000 Hours
 OPERATING TEMPERATURE:
 -20°C (-4°F), 40°C (104°F)

Always consult a qualified electrician before installing any lighting product.

STUDIO•M

Modifications or Customizations: Please email contract@studiomlighting.com
Sample Request: Please email order@studiomlighting.com with subject line "Sample Order_ [Project Name] / [Specifier/Designer]"
 All samples are subject to Studio M approval and must show proof of project and/or explanation.

Job Name:	Job Type:
Quantity:	Comments: