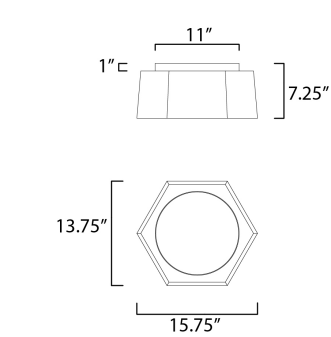


PRODUCT DESCRIPTION

A series of hexagonal metal shades are slightly tapered to create a gentle arc when suspended together. The dramatic combination of Black with Gold interior adds flair to this unique and bold design. Ample illumination is provided by high power integrated LED and softened by acrylic diffusers recessed into each compartment.



MEASUREMENTS

DIMENSION : 16" L x 16" W x 7" H
 CANOPY : 11" W x 1" H x 11" L
 HANGING WEIGHT : 6.28 lb

LAMPING

INPUT VOLTAGE : 120V
 LUMENS : 1,460 Rated (1,140 Del.)
 BULB : 15W LED AC Integrated , 15W Total
 BULB INCLUDED : (Integrated)
 DIMMABLE : Triac CL or ELV
 CRI : 90 CRI
 COLOR_TEMP : 3000K

FINISHES OPTION

 Black / Gold (BKGLD)

MATERIAL

Steel

RATINGS

cETLus
 Damp Location



ADDITIONAL

SLOPE:
 RATED LIFE 35000 Hours
 OPERATING TEMPERATURE:
 -20°C (-4°F), 40°C (104°F)

Always consult a qualified electrician before installing any lighting product.



Modifications or Customizations: Please email contract@studiomlighting.com
Sample Request: Please email order@studiomlighting.com with subject line "Sample Order_ [Project Name] / [Specifier/Designer]"
 All samples are subject to Studio M approval and must show proof of project and/or explanation.

Job Name:	Job Type:
Quantity:	Comments: