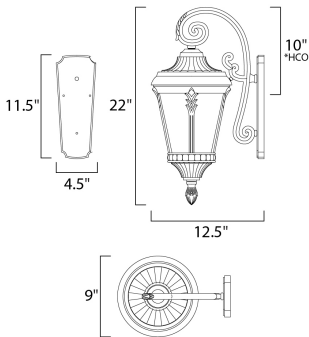




**PRODUCT DESCRIPTION**

Featuring a Die Cast frame of Black with clear Water Glass and added detail to the support rails, the Sentry collection represents a timeless classic reborn.



**MEASUREMENTS**

DIMENSION : 9" W x 22" H x 12.5" Ext  
 BACK PLATE : 4.5" W x 11.5" H x 10" HCO  
 HANGING WEIGHT : 6.6 lb

**LAMPING**

INPUT VOLTAGE : 120V  
 BULB : 60W Incandescent E26 Medium , 60W Total  
 BULB INCLUDED : (Not Included)  
 DIMMABLE :  
 LIGHTING\_DIRECTION : Down

\*height from center of outlet to the top of the fixture

**FINISHES OPTION**

 Black (BK)

**GLASS**

Water Glass WG

**MATERIAL**

Die Cast Aluminum, Glass

**RATINGS**

cETLus  
 Wet Location



**ADDITIONAL**

INSTALL UP/DOWN: Up  
 SLOPE:  
 OPERATING TEMPERATURE:  
 -20°C (-4°F), 40°C (104°F)

Always consult a qualified electrician before installing any lighting product.



**Modifications or Customizations:** Please email [contract@studiomlighting.com](mailto:contract@studiomlighting.com)  
**Sample Request:** Please email [order@studiomlighting.com](mailto:order@studiomlighting.com) with subject line "Sample Order\_ [Project Name] / [Specifier/Designer]"  
 All samples are subject to Studio M approval and must show proof of project and/or explanation.

Job Name:	Job Type:
Quantity:	Comments: