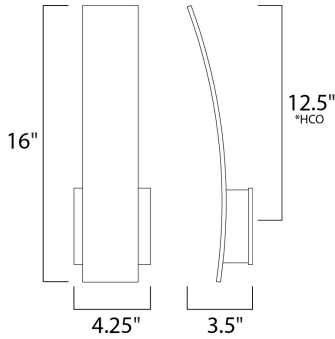




**PRODUCT DESCRIPTION**



**MEASUREMENTS**




DIMENSION : 4.25" W x 15.75" H x 3.5" Ext  
 MAX OAH : 4.33" W x 4.33" H  
 HANGING WEIGHT : 2.79 lb

**LAMPING**

INPUT VOLTAGE : 120V  
 LUMENS : 430 Rated (300 Del.)  
 BULB : 5W LED PCB Integrated , 5W Total  
 BULB INCLUDED : (Integrated)  
 DIMMABLE : Triac  
 CRI : 90 CRI  
 COLOR\_TEMP : 3000K  
 LIGHTING\_DIRECTION : Indirect

\*height from center of outlet to the top of the fixture

**FINISHES OPTION**

-  Black (BK)
-  Satin Aluminum (SA)
-  White (WT)

**MATERIAL**

Aluminum

**RATINGS**

cETLus  
 Wet Location  
 ADA



**ADDITIONAL**

INSTALL UP/DOWN: Up  
 RATED LIFE 50000 Hours  
 OPERATING TEMPERATURE:  
 -20°C (-4°F), 40°C (104°F)

PHOTOMETRIC: Report Found Online

Always consult a qualified electrician before installing any lighting product.



**Modifications or Customizations:** Please email [contract@studiomlighting.com](mailto:contract@studiomlighting.com)  
**Sample Request:** Please email [order@studiomlighting.com](mailto:order@studiomlighting.com) with subject line  
 "Sample Order\_ [Project Name] / [Specifier/Designer]"  
 All samples are subject to Studio M approval and must show proof of project and/or explanation.

Job Name:	Job Type:
Quantity:	Comments: