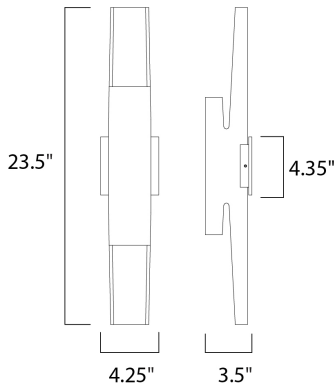


PRODUCT DESCRIPTION



MEASUREMENTS

DIMENSION : 4.25" W x 23.5" H x 3.5" Ext
 BACK PLATE : 4.35" W x 4.35" H x 11.75" HCO
 HANGING WEIGHT : 4.62 lb

LAMPING

INPUT VOLTAGE : 120V
 LUMENS : 560 Rated (480 Del.)
 BULB : 4W LED PCB Integrated , 8W Total
 BULB INCLUDED : (Integrated)
 DIMMABLE : Electronic Low Voltage (ELV)
 CRI : 90+ CRI
 COLOR_TEMP : 3000K

FINISHES OPTION

-  Bronze (BZ)
-  White (WT)

MATERIAL

Aluminum

RATINGS

cETLus
 Wet Location
 ADA



ADDITIONAL

INSTALL UP/DOWN: Any
 OPERATING TEMPERATURE:
 -20°C (-4°F), 40°C (104°F)

Always consult a qualified electrician before installing any lighting product.



Modifications or Customizations: Please email contract@studiomlighting.com
Sample Request: Please email order@studiomlighting.com with subject line "Sample Order_ [Project Name] / [Specifier/Designer]"
 All samples are subject to Studio M approval and must show proof of project and/or explanation.

Job Name:	Job Type:
Quantity:	Comments: