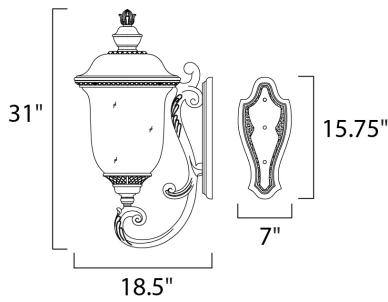




**PRODUCT DESCRIPTION**

Maxim Lighting's Carriage House VX Collection is made with Vivex, a material twice the strength of resin, is non-corrosive, UV resistant and backed with a 5-Year Limited Warranty. Carriage House VX features our Oriental Bronze finish and Water Glass.




**MEASUREMENTS**

DIMENSION : 14" W x 31" H x 18.5" Ext  
 BACK PLATE : 7" W x 15.75" H x 15.5" HCO  
 HANGING WEIGHT : 12.79 lb

**LAMPING**

INPUT VOLTAGE : 120V  
 BULB : 40W Incandescent E12 Candelabra , 120W Total  
 BULB INCLUDED : (Not Included)  
 DIMMABLE : Yes

**FINISHES OPTION**

 Oriental Bronze (OB)

**GLASS**

Water Glass WG

**MATERIAL**

Vivex Resin Composite, Glass

**RATINGS**

cETLus  
 Wet Location



**ADDITIONAL**

OPERATING TEMPERATURE:  
 -20°C (-4°F), 40°C (104°F)

Always consult a qualified electrician before installing any lighting product.

**STUDIO•M**

Modifications or Customizations: Please email [contract@studiomlighting.com](mailto:contract@studiomlighting.com)  
 Sample Request: Please email [order@studiomlighting.com](mailto:order@studiomlighting.com) with subject line  
 "Sample Order\_ [Project Name] / [Specifier/Designer]"  
 All samples are subject to Studio M approval and must show proof of project and/or explanation.

Job Name:	Job Type:
Quantity:	Comments