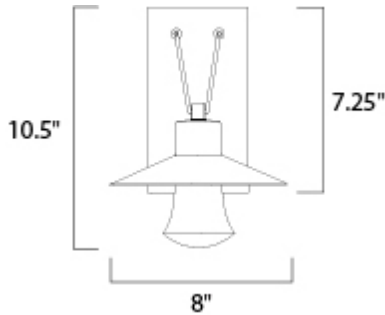




**PRODUCT DESCRIPTION**



**MEASUREMENTS**

DIMENSION : 8" W x 10.5" H x 9.25" Ext  
 BACK PLATE : 4.25" W x 7.25" H x 5.75" HCO  
 HANGING WEIGHT : 2.64 lb

**LAMPING**

INPUT VOLTAGE : 120V  
 LUMENS : 420 Rated (315 Del.)  
 BULB : 6W LED PCB Integrated , 6W Total  
 BULB INCLUDED : (Integrated)  
 DIMMABLE : No  
 CRI : 90+ CRI  
 COLOR\_TEMP : 3000K

**FINISHES OPTION**

- Architectural Bronze (ABZ)
- Brushed Aluminum (AL)

**GLASS**

Clear CL

**MATERIAL**

Die Cast Aluminum, Glass

**RATINGS**

cETLus  
 Wet Location



**ADDITIONAL**

RATED LIFE 40000 Hours  
 OPERATING TEMPERATURE:  
 -20°C (-4°F), 40°C (104°F)

Always consult a qualified electrician before installing any lighting product.

**STUDIO•M**

Modifications or Customizations: Please email [contract@studiomlighting.com](mailto:contract@studiomlighting.com)  
 Sample Request: Please email [order@studiomlighting.com](mailto:order@studiomlighting.com) with subject line  
 "Sample Order\_ [Project Name] / [Specifier/Designer]"  
 All samples are subject to Studio M approval and must show proof of project and/or explanation.

Job Name:	Job Type:
Quantity:	Comments: