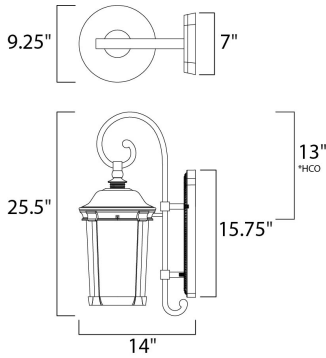




**PRODUCT DESCRIPTION**



\*height from center of outlet to the top of the fixture


**MEASUREMENTS**

DIMENSION : 9.25" W x 25.5" H x 14" Ext  
 BACK PLATE : 7" W x 15.75" H x 13" HCO  
 HANGING WEIGHT : 8.8 lb

**LAMPING**

INPUT VOLTAGE : 120V  
 LUMENS : 840 Rated  
 BULB : 12W LED PCB Integrated , 12W Total  
 BULB INCLUDED : (Integrated)  
 DIMMABLE : Triac CL  
 CRI : 80+ CRI

**FINISHES OPTION**

 Bronze (BZ)

**GLASS**

Seedy CD

**MATERIAL**

Aluminum

**RATINGS**

cETLus  
 Wet Location  
 DARKSKY



**ADDITIONAL**

OPERATING TEMPERATURE:  
 -20°C (-4°F), 40°C (104°F)

PHOTOMETRIC: Report Found Online

Always consult a qualified electrician before installing any lighting product.



**Modifications or Customizations:** Please email [contract@studiomlighting.com](mailto:contract@studiomlighting.com)  
**Sample Request:** Please email [order@studiomlighting.com](mailto:order@studiomlighting.com) with subject line "Sample Order\_ [Project Name] / [Specifier/Designer]"  
 All samples are subject to Studio M approval and must show proof of project and/or explanation.

Job Name:	Job Type:
Quantity:	Comments: