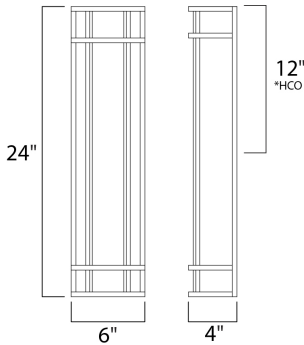




**PRODUCT DESCRIPTION**

Crafted of 304 Grade Stainless steel and UV stabilized acrylic, Moon Ray offers a classic design thoughtfully engineered to withstand commercial uses indoors and outdoors. Advanced LED technology delivers high light output.



\*height from center of outlet to the top of the fixture



**MEASUREMENTS**

DIMENSION : 6" W x 24" H x 4" Ext  
 BACK PLATE : 5.25" W x 23.25" H x 12" HCO  
 HANGING WEIGHT : 5.91 lb

**LAMPING**

INPUT VOLTAGE : 120-277V  
 LUMENS : 1,850 Rated (1,300 Del.)  
 BULB : 23W LED PCB Integrated , 23W Total  
 BULB INCLUDED : (Integrated)  
 DIMMABLE : No  
 CRI : 80+ CRI  
 COLOR\_TEMP : 3000K

**FINISHES OPTION**

-  Bronze (BZ)
-  Satin Nickel (SN)

**GLASS**

White WT

**MATERIAL**

Stainless Steel, Acrylic

**RATINGS**

cETLus  
 Wet Location  
 ADA



**ADDITIONAL**

INSTALL UP/DOWN: Up  
 RATED LIFE 40000 Hours  
 OPERATING TEMPERATURE:  
 -20°C (-4°F), 40°C (104°F)  
 PHOTOMETRIC: Report Found Online

Always consult a qualified electrician before installing any lighting product.



**Modifications or Customizations:** Please email [contract@studiomlighting.com](mailto:contract@studiomlighting.com)  
**Sample Request:** Please email [order@studiomlighting.com](mailto:order@studiomlighting.com) with subject line "Sample Order\_ [Project Name] / [Specifier/Designer]"  
 All samples are subject to Studio M approval and must show proof of project and/or explanation.

|           |           |
|-----------|-----------|
| Job Name: | Job Type: |
| Quantity: | Comments: |