

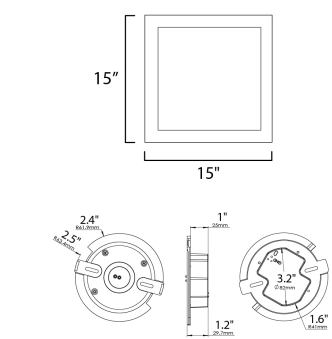


**PRODUCT DESCRIPTION**

Wafer was designed for the discriminate consumer who wants the low profile look of recessed without the high cost. Manufactured of die cast aluminum, Wafer brings ultimate heat dissipation to its edge lit technology. Edge lighting gives very even light distribution while dispersing heat over a larger area. The result of this is longer LED life and better light diffusion.

**FINISHES OPTION**

-  Black (BK)
-  Bronze (BZ)
-  Satin Nickel (SN)
-  White (WT)



**MEASUREMENTS**

- DIMENSION : 15" L x 15" W x 0.5" H
- HANGING WEIGHT : 4.45 lb
- LAMPING**
- INPUT VOLTAGE : 120-277V
- LUMENS : 3,100 Rated (2,500 Del.)
- BULB : 30W LED PCB Integrated , 30W Total
- BULB INCLUDED : (Integrated)
- DIMMABLE : ELV only at 120V
- CRI : 90 CRI
- COLOR\_TEMP : 3000K
- LIGHTING\_DIRECTION : Down

**GLASS**

White WT

**MATERIAL**

Aluminum + Polycarbonate

**RATINGS**

- cETLus
- Wet Location
- Energy Star
- ADA



**ADDITIONAL**

INSTALL UP/DOWN: Wall/Ceiling  
 RATED LIFE 50000 Hours  
 OPERATING TEMPERATURE:  
 -20°C (-4°F), 40°C (104°F)

Always consult a qualified electrician before installing any lighting product.



**Modifications or Customizations:** Please email [contract@studiomlighting.com](mailto:contract@studiomlighting.com)  
**Sample Request:** Please email [order@studiomlighting.com](mailto:order@studiomlighting.com) with subject line "Sample Order\_ [Project Name] / [Specifier/Designer]"  
 All samples are subject to Studio M approval and must show proof of project and/or explanation.

Job Name:	Job Type:
Quantity:	Comments: