

SM661002

- Includes One 6" Downrod
- Includes Remote Control
- Title 20
- Color Tunable
- Wifi Enabled



ACCESSORIES (Sold Separately)



FCT6000WT
Wall Control

PRODUCT DESCRIPTION

Taking the standard fan to the next level, Fandelights such as this one house a Wifi-enabled fan within a decorative chandelier frame. This transitional look features a minimalistic frame finished in your choice of Matte Black or Satin Nickel and a downward directed ring of LED illumination. The Wi-Fi enabled functions control the light intensity, color temperature, and speed of the fan. They can be operated by the remote provided or popular Smart Home applications from your phone or other electronic device.

- Always consult a qualified electrician before installing any lighting product
- Installation Requirements:
Ceiling fan attaches to electrical junction box securely anchored and capable of withstanding at least 35 lbs

MEASUREMENTS

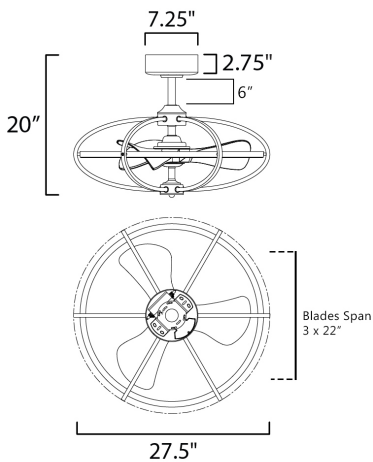
| | |
|----------------|-------------------------------|
| DIMENSION | : 27.5" D x 20" H |
| MAX OAH | : 19.75" OAH |
| CANOPY | : 7.25" W x 2.75" H x 7.25" L |
| HANGING WEIGHT | : 15.9 lb |
| WIRE LENGTH | : 6" |

LAMPING

| | |
|---------------|---------------------------------------|
| INPUT VOLTAGE | : 120V |
| LUMENS | : 3,420 Rated (2,220 Del.) |
| BULB | : 30W LED PCB Intergrated , 30W Total |
| DIMMABLE | : By Control Provided |
| CRI | : 80 CRI |
| COLOR_TEMP | : 2700-4000K |

ENERGY INFORMATION AT HIGH SPEED

| | |
|--------------------|---------------|
| AIRFLOW | : 2440 CFM |
| ELECTRICITY USE | : 20W |
| AIRFLOW EFFICIENCY | : 122 CFM / W |



FINISHES OPTION

- Black
- Satin Nickel

MATERIAL

Aluminum+Steel+ABS

RATINGS

cETLus
Damp Location

INCLUDES

- Wall Mountable Remote Control
- 1 x 6" Downrod



DOWNROD OPTIONS

- 18" (FRD0118BK, SN)
- 24" (FRD0124BK, SN)
- 30" (FRD0130BK, SN)
- 36" (FRD0136BK, SN)

ADDITIONAL

RATED LIFE: 35,000 Hours
OPERATING TEMPERATURE: -20° C (-4°F), 40°C (104°F)
LIGHTING DIRECTION: Down

Always consult a qualified electrician before installing any lighting product.

STUDIO•M

Modifications of Customization : Please email contract@studiomlighting.com
Sample Request : Please email Order@studiomlighting.com with line
"Sample Order _ [Project Name] / [Specifier/Designer]"
All samples are subject to Studio M approval and must show proof of project and/or explanation

| | |
|-----------|-----------|
| Job Name: | Job Type: |
| Quantity: | Comments: |