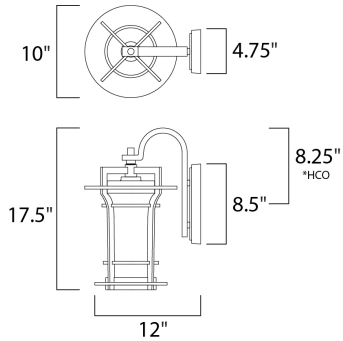




PRODUCT DESCRIPTION



MEASUREMENTS


DIMENSION : 10" W x 17.5" H x 12" Ext
 BACK PLATE : 4.75" W x 8.5" H x 8.25" HCO
 HANGING WEIGHT : 9.9 lb

LAMPING

INPUT VOLTAGE : 120V
 LUMENS : 800 Rated
 BULB : 9W LED E26 Medium , 9W Total
 BULB INCLUDED : (Included)
 DIMMABLE : Triac CL
 CRI : 90+ CRI
 COLOR_TEMP : 3000K

*height from center of outlet to the top of the fixture

FINISHES OPTION

 Black Oxide (BO)

GLASS

Water Glass WG

MATERIAL

Die Cast Aluminum

RATINGS

cETLus
 Wet Location



ADDITIONAL

INCANDESCENT WATTS:
 RATED LIFE 25000 Hours
 OPERATING TEMPERATURE:
 -20°C (-4°F), 40°C (104°F)

Always consult a qualified electrician before installing any lighting product.



Modifications or Customizations: Please email contract@studiomlighting.com
Sample Request: Please email order@studiomlighting.com with subject line
 "Sample Order_ [Project Name] / [Specifier/Designer]"
 All samples are subject to Studio M approval and must show proof of project and/or explanation.

Job Name:	Job Type:
Quantity:	Comments: